

MODELS PT-45 and PT-47

SPECIFICATIONS

Models PT-45 and PT-47 are five tube electric push-button tuning, superheterodyne radios with a manual tuning range covering 540 to 1720 kilocycles (K. C.)

Six electric push-buttons are provided on these models. Five of the push-buttons are used for stations and one push-button for selecting dial tuning. The push-buttons cover a frequency range as follows: 540 to 1600 kilocycles.

The procedure for adjusting and operating the electric push-buttons for stations will be found on page 10.

INTERMEDIATE FREQUENCY: 470 K. C.

POWER SUPPLY: Operates on either a 115 volt alternating current (A. C.) or 115 volt direct current (D. C.) power supply.

Note—If no sound is heard on D. C. circuits, after the tubes

are sufficiently heated, reverse the power plug. If a slight hum is heard when operating on an A. C. power supply, the power plug should be reversed.

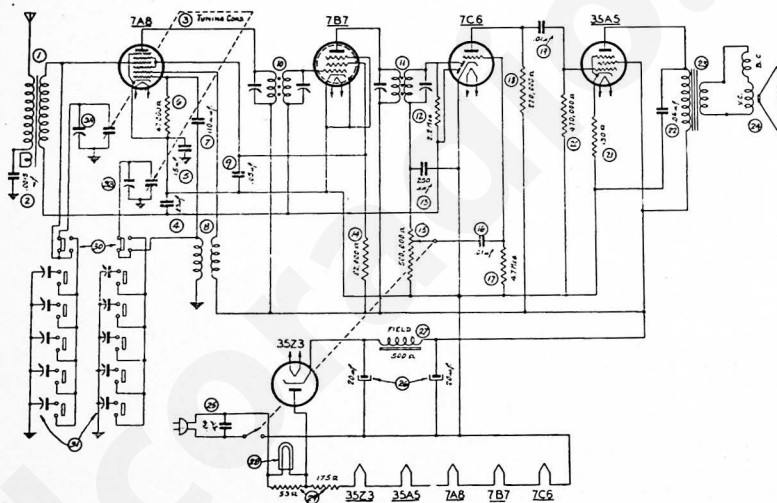
PHILCO TUBES USED: One 7A8, converter; one 7B7, I. F. amplifier; one 7C6, 2nd detector, 1st audio, A. V. C.; one 35A5, audio output and one 35Z3, rectifier.

AERIAL AND GROUND: A twenty foot indoor aerial wire is attached to the radio for average receiving conditions. To obtain maximum reception, however, in apartment houses, hotels or steel reinforced buildings, the Philco Utility Aerial, Part No. 40-6384, is recommended. A ground is not necessary with these models.

ALIGNING PROCEDURE: The instructions for adjusting the R. F. and I. F. compensators will be found on page 7.

PRODUCTION CHANGE

To stabilize the oscillator circuit and prevent oscillation at the high frequency end of the tuning dial, the oscillator grid leak was changed from 47000 ohms to 22000 ohms.



REPLACEMENT PARTS

SCHE. No.	DESCRIPTION	PART No.	SCHE. No.	DESCRIPTION	PART No.	SCHE. No.	DESCRIPTION	PART No.
1	Antenna Transformer	32-3166	22	Tubular Condenser (.04 mf., 400 v.)	30-41198		Cone Assembly	
2	Tubular Condenser (.0015 mf., 200 v.)	30-4555S	23	Output Transformer			(for Speaker 36-1469-1)	36-4115
3	Tuning Condenser	31-2428		(for Speaker 36-1469-1)	32-8047		(for Speaker 36-1469-2)	36-4132
4	Tubular Condenser (.05 mf., 200 v.)	30-4519S		(for Speaker 36-1469-2)	32-8044		(for Speaker 36-1469-9)	36-4113
5	Tubular Condenser (.15 mf., 400 v.)	30-4505S		(for Speaker 36-1469-9)	32-8044		Dial Drive Shaft	31-2355
6	Resistor (47,000 ohms, ¼ watt)	33-347154	24	Speaker	36-1469		Dial Drive Cord	31-2358
7	Mica Condenser (110 mf.)	30-1130	25	Tubular Condenser (.04 mf., 400 v.)	30-4119S		Dial Window	27-5472
8	Oscillator Transformer	32-3167	26	Electrolytic Condenser (20-20 Part, 150 v.)	30-2382		Grille Cloth & Gasket Assembly	318-1134
9	Tubular Condenser (.05 mf., 200 v.)	30-4519S	27	Pield Coil Part of Speaker No.	36-1469		Knob (Push-Button—PT-45)	27-4824
10	1st I. F. Transformer	32-3149	28	Pilot Lamp	34-2068		Knob (Tuning & Volume—PT-45)	27-4809
11	2nd I. F. Transformer	32-3150	29	Line Resistor	35-3367		Knob (Tuning & Volume—PT-47)	27-4810
12	Resistor (2.2 meg., ¼ watt)	33-522154	30	Push Button Switch	42-1485		Knob (Push-Button—PT-47)	27-4831
13	Mica Condenser (250 mmf.)	61-0033	31	Padding Condenser Strip	31-6203		Pointer	27-4891
14	Resistor (22,000 ohms, ¼ watt)	33-322334					Spring (Drive Cord)	28-8954
15	Volume Control (500,000 ohms)	33-5306					Speaker	36-1469
16	Tubular Condenser (.01 mf., 200 v.)	30-4479S					Strap Fastener	36-1387
17	Resistor (4.7 meg., ¼ watt)	33-547154					Socket Assembly (Pilot Lamp)	38-9825
18	Resistor (220,000 ohms, ¼ watt)	33-422154					Socket (Tubes)	27-6130
19	Tubular Condenser (.01 mf., 400 v.)	30-4572S					Tab Kit	40-6474
20	Resistor (470,000 ohms, ¼ watt)	33-447154					Tab (Dial)	27-5528
21	Resistor (180 ohms, ¼ watt)	33-118338						